

Conservatory construction of wood-alu



If you want to construct a façade or a conservatory of wood/alu - no matter what your customer requires - it is as easy as constructing a window. Klaes 3D is an ideal companion to create even complicated constructions easily, to present them professionally, to calculate them and then manufacture them efficiently - and no prior CAD experience necessary! Thanks to the flexible data system, you can install profiles of almost any type of material into your system.



WYSIWYG

„What you see is what you get“! Check the cuts and processings at the profile in advance - *“an x-ray view”* makes it all possible!



Grid Net-Import

Complex constructions or special solutions can easily be imported into Klaes 3D as a CAD-grid sketch.



Automatic Section Generation

Adjustment of sections referring to profiles and the construction in *„real time“*



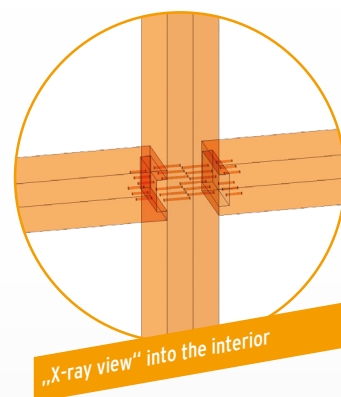
Master Data Following the LEGO-Principle

Klaes 3D is independent of the system and material! Whether wood, alu-wood, aluminium or steel - with Klaes 3D, you always have the right solution!

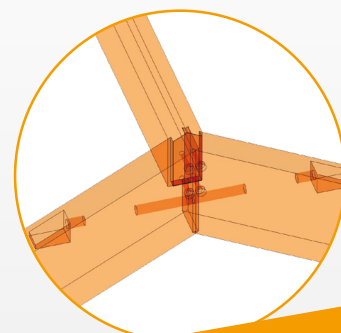


Commercial Solutions

Thanks to the connection to the Klaes Construction-Program you have a powerful commercial software at hand and you constantly keep the overview.



„X-ray view“ into the interior



Bending resistant connection